




FLANGE TOOL INNOVATION

# PRODUCT DATA SHEET

## SWi20/25TIEX

INNOVATIVE INTEGRAL  
HYDRAULIC FLANGE  
SPREADING WEDGE

 II 2G ck IIB T5/II 2D ck T100 °C

### SPREADING FORCE:

20 T (200 kN) 1st step

24 T (240 kN) 4th step

### SPREADING DISTANCE:

6.0 mm - 103.5 mm (0.24" - 4.1")

WEIGHT: 8.5 kg (18.7 lb)

### CAPABILITIES

At 700 bar (10 000 psi):  
20 T spread force (1st step)  
24 T spread force (4th step)

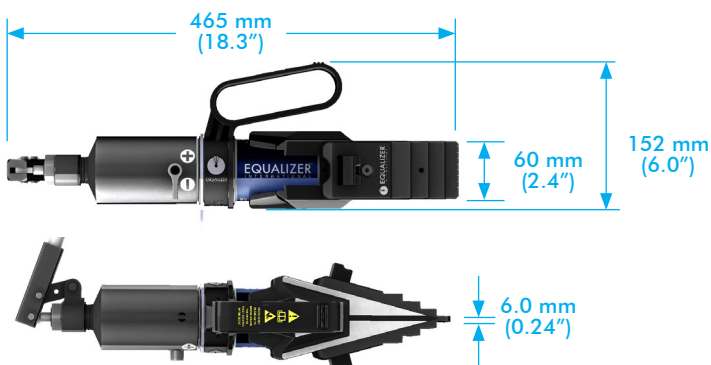
6.0 mm – 87.5 mm  
(0.24" - 3.4") spread over 4 steps  
(without stepped blocks)

48.5 mm – 103.5 mm  
(1.9" - 4.1") spread over 2 steps  
(with stepped blocks)

6.0 mm – 40.0 mm  
(0.24" - 1.6") spread  
using only 1st step



### TOOL DIMENSIONS - CLOSED



### USER FEATURES

- Certified for use in the hazardous areas:  
II 2G ck IIB T5/II 2D ck T100 °C
- Practical, portable and lightweight
- Moulded plastic handle for comfort
- Revolving handle to aid horizontal or vertical spreading
- Offset handle is directly over the centre of mass
- Removable handle for improved access
- Revolving lanyard connection point
- Spread indicator markings for clear precise visual progress feedback

### SAFETY FEATURES

- No finger pinch-points
- Increased step depth on upper steps
- Safety lanyard – 1.0 m (39") length
- Forged key components for strength and reliability

### MAINTENANCE FEATURES

- Rapid disassembly and assembly
- Quick jaw replacement – remove 1 fastener
- Quick tip replacement – remove 2 fasteners
- Narrow jaw teeth – improved tool wear

info@equalizerinternational.com  
www.equalizerinternational.com

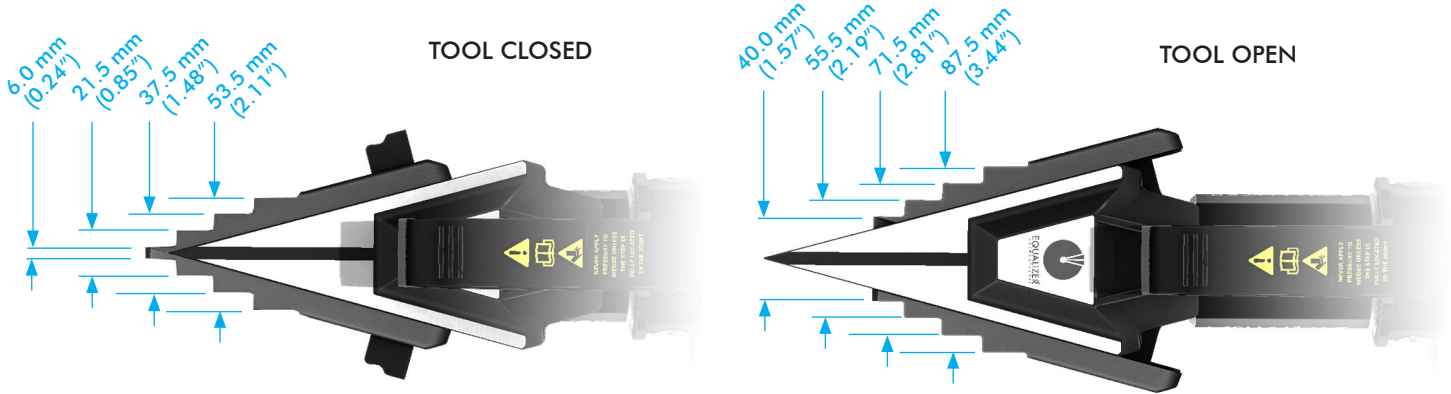
# SWi20/25TIEX

INNOVATIVE INTEGRAL HYDRAULIC  
FLANGE SPREADING WEDGE

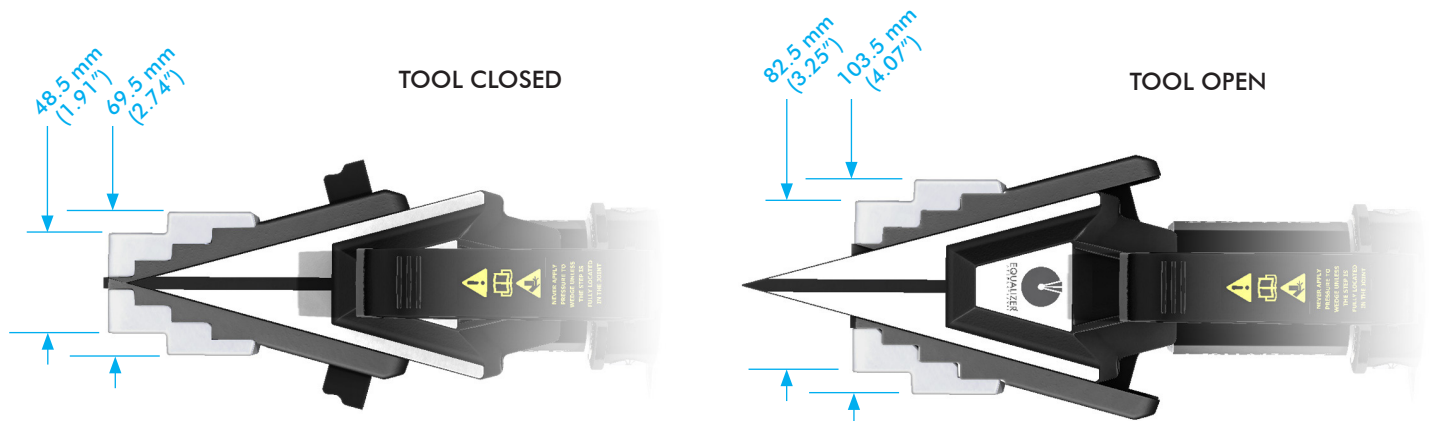


FLANGE TOOL INNOVATION

JAW DIMENSIONS  
(WITHOUT STEPPED BLOCKS ATTACHED)



JAW DIMENSIONS  
(WITH STEPPED BLOCKS ATTACHED)



## STANDARD KIT

- 1 x SWi20/25TIEX Flange Spreader Wedgehead
- 1 x 700 bar (10 000 psi) Integral Hydraulic Pump/Cylinder
- 1 x Set of Safety Blocks
- 1 x Pair of Stepped Blocks
- 1 x Lanyard
- 1 x Hex Key
- 1 x Carry-Strap
- 1 x Instruction Manual
- 1 x Carry Case

Product Code: SWi2025TISTDEX

Carry Case Dimensions:

580mm x 400mm x 180mm (22.8" x 15.7" x 7.1")

Gross Kit Weight: 17.5 kg (39.0 lb)

