



FLANGE TOOL INNOVATION

# PRODUCT DATA SHEET

## SWi20/25TI INNOVATIVE INTEGRAL HYDRAULIC FLANGE SPREADING WEDGE

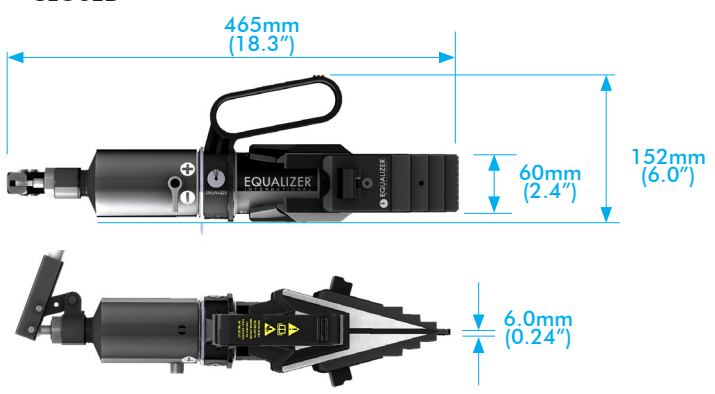
**SPREADING FORCE:**  
 20T (200kN) 1st step  
 24T (240kN) 4th step  
**SPREADING DISTANCE:**  
 6.0 - 103.5mm (0.24 - 4.1")  
**WEIGHT:** 8.5kg (18.8lb)

### CAPABILITIES

- At 10,000psi (700bar):  
 20T spread force (1st step)  
 24T spread force (4th step)
- 6.0mm – 87.5mm  
 (0.24" - 3.4") spread over 4 steps  
 (without stepped blocks)
- 48.5mm – 103.5mm  
 (1.9" - 4.1") spread over 2 steps  
 (with stepped blocks)
- 6.0mm – 40.0mm  
 (0.24" - 1.6") spread  
 using only 1st step



### TOOL DIMENSIONS - CLOSED



### USER FEATURES

- Practical, portable and lightweight
- Moulded plastic handle for comfort
- Revolving handle to aid horizontal or vertical spreading
- Offset handle is directly over the centre of mass
- Removable handle for improved access
- Revolving lanyard connection point
- Spread indicator markings for clear precise visual progress feedback

### SAFETY FEATURES

- No finger pinch-points
- Increased step depth on upper steps
- Safety lanyard – 1.0m (39") length
- Forged key components for strength and reliability
- Fail-safe design – designated cylinder nose seal failure

### MAINTENANCE FEATURES

- Rapid disassembly and assembly
- Quick jaw replacement – remove 1 fastener
- Quick tip replacement – remove 2 fasteners
- Narrow jaw teeth – improved tool wear

info@equalizerinternational.com  
 www.equalizerinternational.com

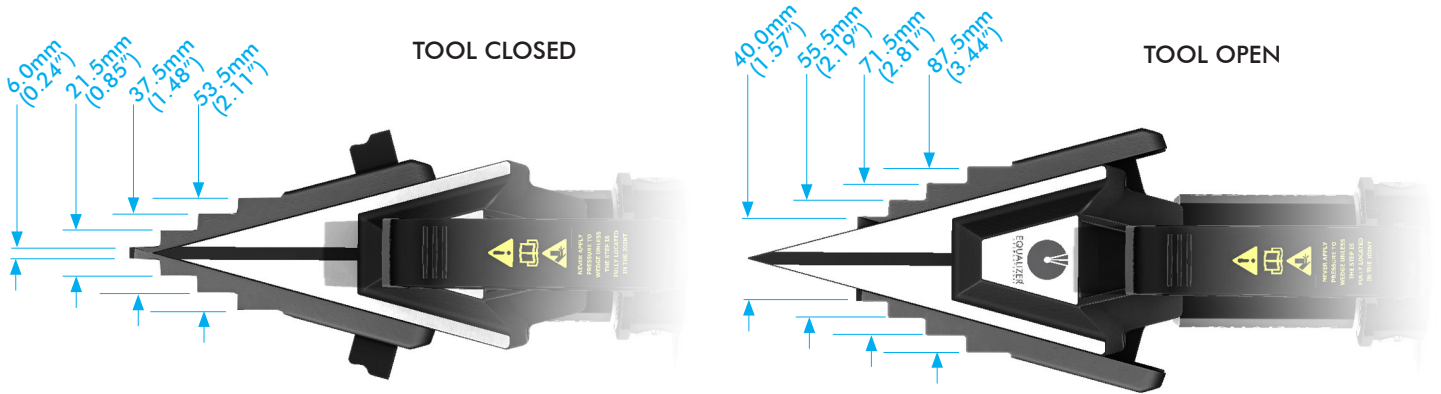
# SWi20/25TI

INNOVATIVE INTEGRAL HYDRAULIC  
FLANGE SPREADING WEDGE

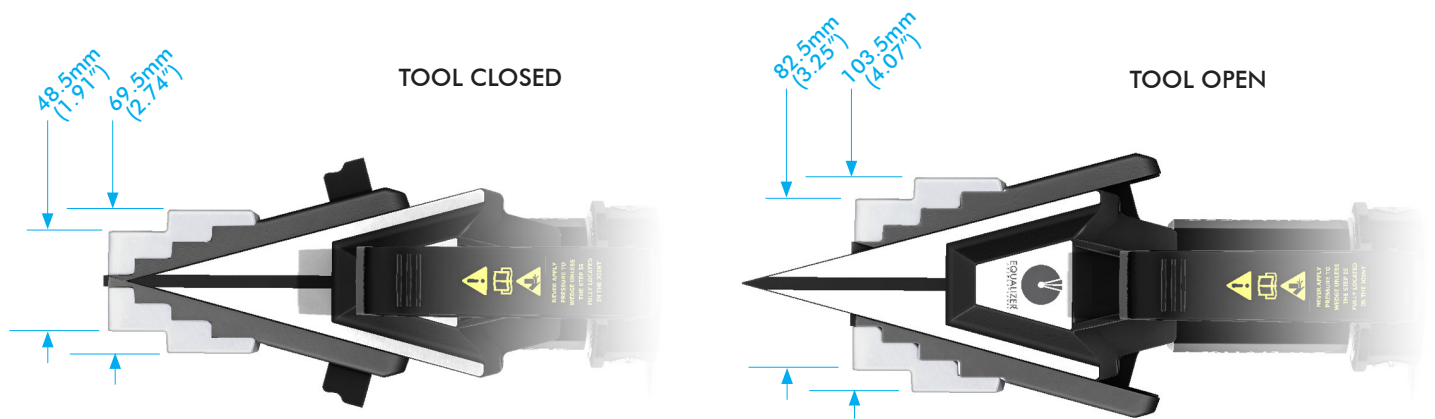


FLANGE TOOL INNOVATION

## JAW DIMENSIONS (WITHOUT STEPPED BLOCKS ATTACHED)



## JAW DIMENSIONS (WITH STEPPED BLOCKS ATTACHED)



## STANDARD KIT

- 1 x SWi2025TI Flange Spreader Wedgehead
- 1 x 10,000psi (700bar) Integral Hydraulic Pump/Cylinder
- 1 x Set of Safety Blocks
- 1 x Pair of Stepped Blocks
- 1 x Lanyard
- 1 x Hex Key
- 1 x Instruction Manual
- 1 x Carry Case

580mm x 330mm x 165mm (22.8" x 13.0" x 6.5")  
Gross Kit Weight 13.8kg (30.4lb)  
Product Code: SWi2025TISTDSPB

