



"innovation in its most functional form"

PRODUCT DATA SHEET

SW14.5TI

INTEGRAL HYDRAULIC FLANGE SPREADER

SPREADING FORCE:

10,000 psi (700 bar) = 14.5 T (145 kN)

It is recommended that tools are used in pairs giving
 $2 \times 14.5 = 29 \text{ T (290 kN)}$

TOOL WEIGHT = 9 kg (19.8 lbs)

KIT COMPONENTS

- 1 x SW14.5TI Wedgehead
 - 1 x 10,000 psi (700 bar) Integral Hydraulic Pump/Cylinder
 - 1 x Safety Block
 - 1 x Pair of Stepped Blocks
 - 1 x Carry-Strap
 - 1 x Instruction Manual
 - 1 x Carry Case
- Product Code: SW14.5TISPB



WEIGHTS AND DIMENSIONS

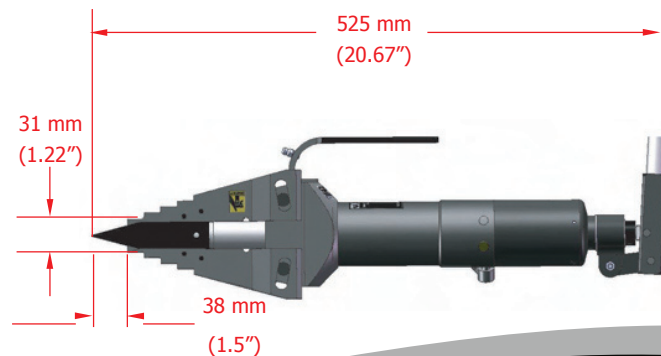
- Wedge with Integral Hydraulic Pump Cylinder = 9 kg (19.8 lbs)
- Carry Case = 2.5 kg (5.5 lbs)
- Gross Weight = 14 kg (28.6 lbs)

Carry-Case Dimensions:
580 x 340 x 180mm (22.8" x 13.4" x 7")

TOOL DIMENSIONS - CLOSED



TOOL DIMENSIONS - OPEN



info@equalizerinternational.com
www.equalizerinternational.com

SW14.5TI

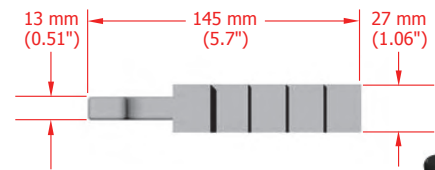
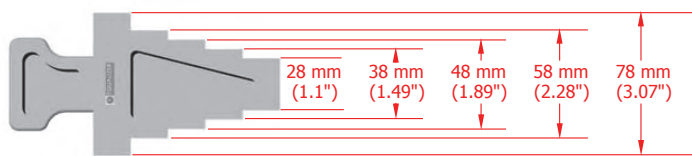
INTEGRAL HYDRAULIC FLANGE SPREADER



"innovation in its most functional form"



SAFETY BLOCK DIMENSIONS



PARTS LIST AND EXPLODED DRAWING

ITEM	PART No.	DESCRIPTION	QUANTITY
01		SERIAL NO STICKER	01 each
02		QC SEALED STICKER	02 each
03		PINCH POINT STICKER	02 each
04		GREASE POINT STICKER	02 each
05		READ INSTR. STICKER	01 each
06		BADGE LOGO	02 each
07	300101-01	WEDGE	01 each
08	300301-01	PUSH PIN	01 each
09*		M5X6 SCKT SCREW	01 set of 4
10*		SLIDE PIN	01 set of 4
11	301102-01	MAIN BODY	01 each
12*		SPIROL PIN	01 set of 8
13*		M6X12 GRUB SCREW	01 each
14	308201-01	HANDLE	01 each
15	310601-01	M6 GREASE NIPPLE	01 each
16	311601-01	SPLIT RING	01 set of 2
17	312302-01	HANDLE SLEEVE	01 each
18	300203-02	FORGED JAW	01 set of 2
19*		5/16" SCREW	01 each
20	510701-01	INT. PUMP & CYLINDER	01 each
21	375010-01	SERVICE KIT A (Not illustrated)	01 kit
22	375020-01	SERVICE KIT C (Not illustrated)	01 kit
23	510700-01	SERVICE KIT D (Not illustrated)	01 kit



*Items 09,10,12,13 and 19 are supplied in repair kit part no: 310301-01

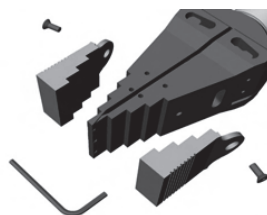
STEPPED BLOCKS

Stepped Blocks can be used singly or in pairs to increase the maximum spreading distance of the SW9TM to 81mm

STEPPED BLOCK KIT (AVAILABLE AS AN OPTION)

KIT COMPONENTS

- 2 x Stepped Blocks
- 2 x M6 x 10 mm Countersunk Screws
- 1 x 4mm Hex Key
- Kit Part No: 303301-01



WEIGHTS AND DIMENSIONS

- Stepped Block = 0.52 kg (1.14 lb)
- GROSS WEIGHT = 1.5 kg (3.5 lb)

