

Flange Service Tools MATCH



P350AEX P550AEX P1000AEX

SEALED HYDRAULIC HAND PUMP
SINGLE PORT - ATEX

TECHNICAL DATA SHEET

MATCH Pump Series P***AEX

are marked as:

II 2G Ex h IIB T5 Gb

II 2D Ex h IIIC T100°C Db

(ATEX Directive 2014/34/EU)



2-Stage Sealed Hydraulic Hand Pump

Maximum Pressure Rating:

13.8 bar (200 psi) 1st Stage

700 bar (10,000 psi) 2nd Stage

Oil Capacity: 350 cc, 550 cc, 1070 cc respectively

Diaphragm Oil Reservoirs: Pumps are operable in all directions without loss of performance

Reduced risk of hydraulic fluid spillages



KIT CONTENTS:

P350AEX

- 1 x P350A Pump Unit
- 1 x 1,000 bar Pressure Gauge
- 1 x Quick Gauge Coupler 1/4" NPT
- 1 x Gauge Adaptor K
- 1 x Coupler 3/8" F

Packaging Dimensions (mm):
420 x 180 x 190

Product Code

P350AEX

P550AEX

- 1 x P550A Pump Unit
- 1 x 1,000 bar Pressure Gauge
- 1 x Quick Gauge Coupler 1/4" NPT
- 1 x Gauge Adaptor K
- 1 x Coupler 3/8" F

Packaging Dimensions (mm):
740 x 190 x 200

Product Code

P550AEX

P1000AEX

- 1 x P1000A Pump Unit
- 1 x 1,000 bar Pressure Gauge
- 1 x Quick Gauge Coupler 1/4" NPT
- 1 x Gauge Adaptor K
- 1 x Coupler 3/8" F

Packaging Dimensions (mm):
820 x 160 x 180

Product Code

P1000AEX

Weights & Dimensions:	P350AEX	P550AEX	P1000AEX
Pump Length (L)	504 mm	624 mm	824 mm
Handle Length (H)	363 mm	485 mm	590 mm
Pump Weight	4.2 kg	4.8 kg	6.1 kg
Gross Kit Weight	4.5 kg	5.2 kg	6.6 kg

The following Hose-Pump Kits are also available:

HP350A KIT:

Product Code

HP350A Kit



HP350AEX KIT:

Product Code

HP350AEX Kit



MATCH-CEE e.U.
Flansch Service Werkzeuge und Hochdruckhydraulik
Schlachthausgasse 30/6/13
A-1030 Wien / ÖSTERREICH

www.flanschspreizer.at

info@flangespreader.eu

MATCH s.r.o.
Flange Service Tools
Studena 2
SK-82104 Bratislava / SLOVAKIA

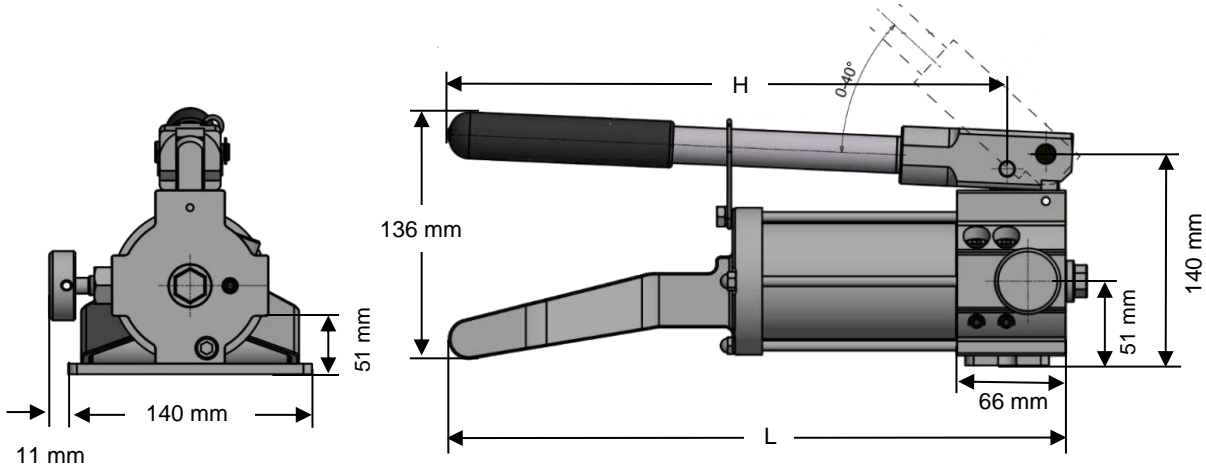
www.flangespreader.eu

P350AEX P550AEX P1000AEX

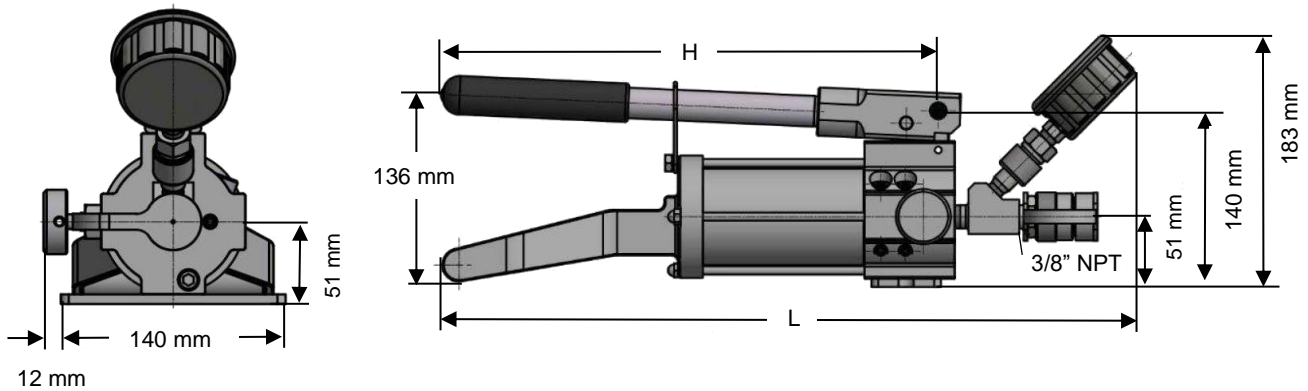
SEALED HYDRAULIC HAND PUMPS



P***A – SINGLE PORT PUMP DIMENSIONS:



P***AEX SINGLE PORT PUMP DIMENSIONS:



SPECIFICATIONS	STAGE	P350AEX	P550AEX	P1000AEX
Pressure Rating	1 st	13.8 bar (200 psi)		
	2 nd	700 bar (10,000 psi)		
Max Oil Capacity		380 cc	580 cc	1130 cc
Usable Oil Capacity		350 cc	550 cc	1070 cc
Oil Volume/Stroke	1 st	3.7 cc		
	2 nd	0.6 cc		
Max Handle Force		290 N	210 N	170 N
Piston Stroke		18 mm (0.7 in)		

DANGER! – PE Case and hydraulic hoses Series HHxxx cannot be used in a potentially explosive atmosphere!

Use Only ATEX certified hoses Series HHEXxxx!

MATCH-CEE e.U.
Flansch Service Werkzeuge und Hochdruckhydraulik
Schlachthausgasse 30/6/13
A-1030 Wien / ÖSTERREICH

www.flanschspreizer.at

info@flangespreader.eu

MATCH s.r.o
Flange Service Tools
Studena 2
SK-82104 Bratislava / SLOVAKIA

www.flangespreader.eu