


# Flange Service Tools MATCH



MVOS7T1826 Kit  
 MVOS7T3036 Kit are marked   
 MVOS7T1836 Kit

# MVOS7T1826 MVOS7T3036 MVOS7T1836

MECHANICAL VALVE OUT  
 SPREADER KITS

## TECHNICAL DATA SHEET

### SPREADING FORCE:

MVOS71826 Kit, 2 x 1.7 t = 3.5 t (35 kN) @ torque of 65 N·m

MVOS73036 Kit, 2 x 3.5 t = 7.0 t (70 kN) @ torque of 130 N·m

### SPREADING DISTANCE: 0 mm - 70 mm

### FLANGE JOINT THICKNESS:

50 mm – 400 mm with Standard Spacer Bar Kit  
 50 mm – 1000 mm with AH600\* Spacer Bar Kit

### TOOL KIT CONTENTS:

PRODUCT CODE	BOX A	BOX B	Tool Kit Weight
MVOS7T1826 Kit	MVOS7T	MVOS7T-1826	23.4 kg (51.6 lb)
MVOS7T3036 Kit	MVOS7T	MVOS7T-3036	29.1 kg (64.2 lb)
MVOS7T1836 Kit	MVOS7T	MVOS7T-1836	34.0 kg (75.0 lb)

See Box contents below:

#### MVOS7T (BOX A) CONTENTS:

- 4 x Articulated Spreading Plates
- 2 x AHF 45 mm Spacer
- 2 x AHM 45 mm Spacer
- 3 x AH 50 mm (2") Spacer
- 2 x AH 100 mm (4") Spacer
- 1 x 130 N·m Torque Wrench  
c/w Socket
- 1 x Carry-Case

#### WEIGHT AND DIMENSIONS:

Weight: 15.6 kg (34.4 lb)  
 Dim (mm): 440 x 300 x 120



#### BOX B CONTENTS:

##### MVOS7T-1826:

- 8 x 18 mm Bolt Hole Pins
- 8 x 22 mm Bolt Hole Pins
- 8 x 26 mm Bolt Hole Pins
- 1 x Carry-Case

#### WEIGHT AND DIMENSIONS:

Weight: 7.8 kg (17.2 lb)  
 Dim (mm): 440 x 300 x 120



##### MVOS7T-3036:

- 8 x 30 mm Bolt Hole Pins
- 8 x 33 mm Bolt Hole Pins
- 8 x 36 mm Bolt Hole Pins
- 1 x Carry-Case

#### WEIGHT AND DIMENSIONS:

Weight: 13.5 kg (29.8 lb)  
 Dim (mm): 440 x 300 x 120



##### MVOS7T-1836:

- 8 x 18 mm Bolt Hole Pins
- 8 x 22 mm Bolt Hole Pins
- 8 x 26 mm Bolt Hole Pins
- 8 x 30 mm Bolt Hole Pins
- 8 x 33 mm Bolt Hole Pins
- 8 x 36 mm Bolt Hole Pins
- 1 x Carry-Case

#### WEIGHT AND DIMENSIONS:

Weight: 18.4 kg (40.6 lb)  
 Dim (mm): 440 x 300 x 120



MATCH-CEE e.U.  
 Flansch Service Werkzeuge und Hochdruckhydraulik  
 Schlachthausgasse 30/6/13  
 A-1030 Wien / ÖSTERREICH

[www.flanschspreizer.at](http://www.flanschspreizer.at)

[info@flangespreader.eu](mailto:info@flangespreader.eu)

MATCH s.r.o  
 Flange Service Tools  
 Studena 2  
 SK-82104 Bratislava / SLOVAKIA

[www.flangespreader.eu](http://www.flangespreader.eu)

# MVOS1826

MECHANICAL VALVE OUT SPREADER



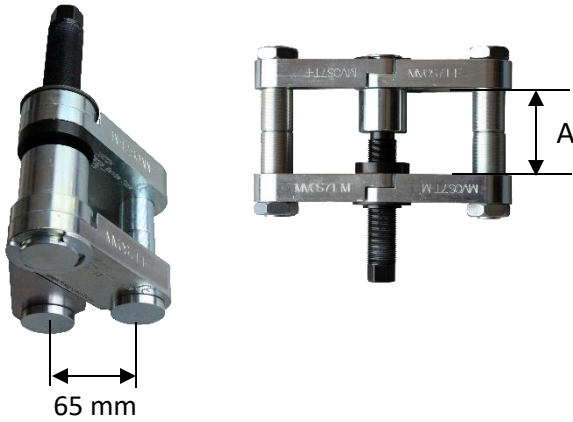
## TOOL DIMENSIONS:

MINIMUM

MAXIMUM

Standard Kit

Standard AND AH600\* Kit



Minimum Distance  
between Bolt holes

Pin Size**:	18	22	26	30	33	36
A (mm)	50	50	50	75	88	100
B (mm)	400					
C* (mm)	1000					

\* AH600 Kit is sold separately

**RANGE OF APPLICATION:** Zero Gap Flange Spreader that can be used flange to flange e.g Compact Flange NORSOK or to span across a valve.

Bolt Hole Diameter**	MVOS1826	MVOS3036	MVOS1836
Min	18 mm	30 mm	18 mm
Max	26 mm	36 mm	36 mm

\*\* Pin Size must fit Bolt Hole Size!

(As Bolts are smaller than the Bolt Hole they are fitted in).

**MVOS7T-AH (AH600) Extension Kit** (sold separately):



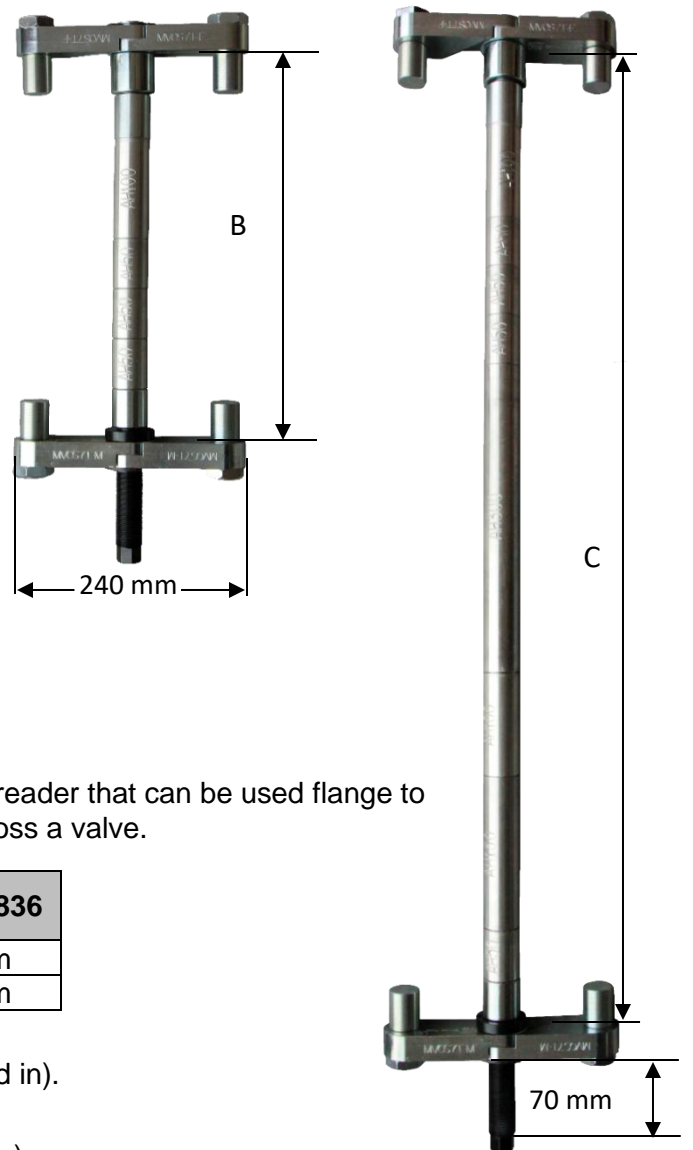
**Product Code**

MVOS7T-AH

**KIT CONTENTS:**

- 2 x MVOS7T-AH50
- 2 x MVOS7T-AH100
- 2 x MVOS7T-AH150
- 2 x MVOS7T-AH300
- 1 x Carry-Case

**Additional Spacer Bars and Pin sizes are available for even larger or bespoke Flange joints:** Please contact MATCH



MATCH-CEE e.U.  
Flansch Service Werkzeuge und Hochdruckhydraulik  
Schlachthausgasse 30/6/13  
A-1030 Wien / ÖSTERREICH

[www.flanschspreizer.at](http://www.flanschspreizer.at)

[info@flangespreader.eu](mailto:info@flangespreader.eu)

MATCH s.r.o  
Flange Service Tools  
Studena 2  
SK-82104 Bratislava / SLOVAKIA

[www.flangespreader.eu](http://www.flangespreader.eu)