

MFA4T

MECHANICAL FLANGE ALIGNMENT TOOL

TECHNICAL DATA SHEET



ALIGNING FORCE:

68 N·m torque give **4 t (40 kN)** aligning force per tool

MAX. WING EXTENSION

The tool's wing can be extended a maximum of 113 mm

Min. Wing Extension: 45 mm

Max. Wing Extension: 158 mm

KIT CONTENTS:

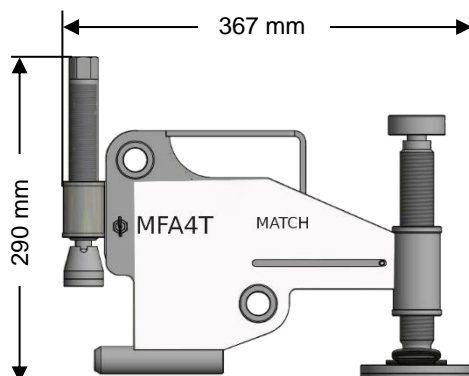
- 1 x MFA4T Tool
- 1 x 68 N·m (50 ft·lb) Torque Wrench
- 1 x 22 mm Socket
- 1 x Ratchet Strap
- 1 x Carry-Case

RANGE OF APPLICATION:

Minimum Bolt Hole Diameter: 25 mm (1.0")
 (Please see overleaf for more details)

MFA4T is marked: **CE**

Product Code	Tool
MFA4T	1 x MFA4T



WEIGHTS AND DIMENSIONS:

Tool weight: 8.6 kg (19.0 lb)
 Torque Wrench: 1.5 kg (3.3 lb)
 Gross Kit weight: 12.6 kg (27.8 lb)

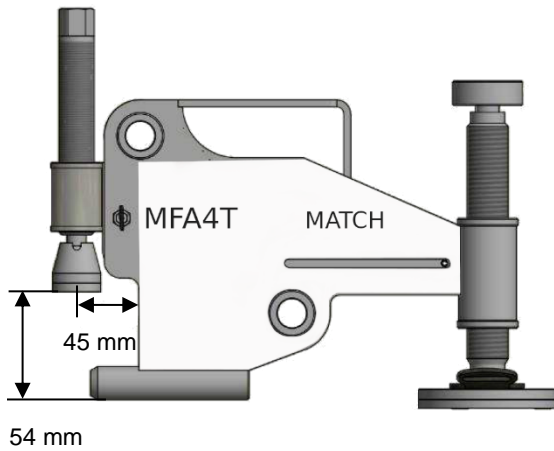
Packaging Dimensions:
 580 mm x 340 mm x 180 mm

MFA4T

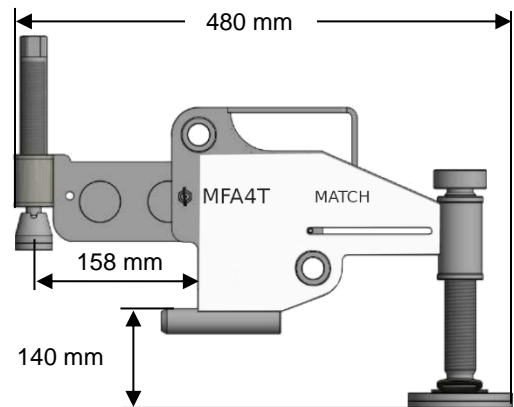
MECHANICAL FLANGE ALIGNMENT TOOL



TOOL DIMENSIONS: FULLY RETRACTED



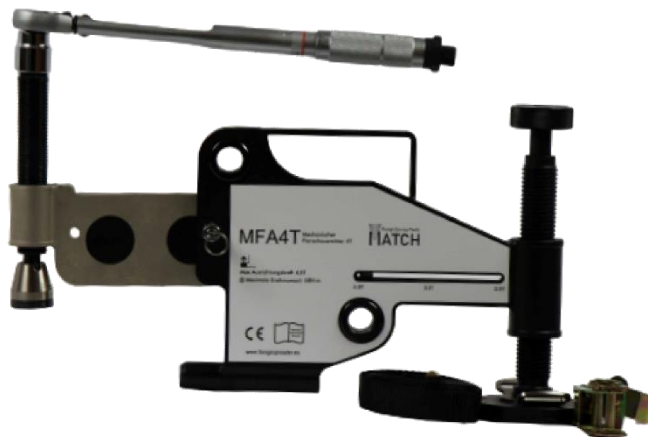
FULLY EXTENDED



RANGE OF APPLICATION:

Minimum Bolt Hole Diameter:
25 mm (1.0")

ASME	NOMINAL PIPE SIZE
150#	10" – 34"
300#	8" – 14" & 26" – 36"
400#	3½" – 10" & 26" – 36"
600#	3½" – 10" & 26" – 36"
900#	1" – 3" & 4" – 6"
1500#	1¼" – 3"
2500#	1" - 2½"



MATCH-CEE e.U.
Flansch Service Werkzeuge und Hochdruckhydraulik
Schlachthausgasse 30/6/13
A-1030 Wien / ÖSTERREICH

www.flanschspreizer.at

info@flangespreader.eu

MATCH s.r.o
Flange Service Tools
Studena 2
SK-82104 Bratislava / SLOVAKIA

www.flangespreader.eu