

# Flange Service Tools MATCH



# HSW15TSCEX-FC EX

INTEGRAL HYDRAULIC  
FLANGE SPREADING WEDGE  
ATEX in Flightcase ATEX

## TECHNICAL DATA SHEET



### SPREADING FORCE:

700 bar hydraulic pressure give **14.5 t (145 kN)** spreading force per tool

It is advisable to use tools in pairs, resulting in a total spreading force of: 2 x 14.5 t = 29.0 t (290 kN)

### SPREADING DISTANCE:

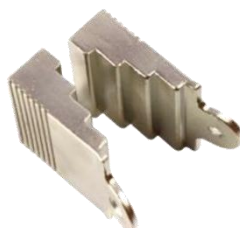
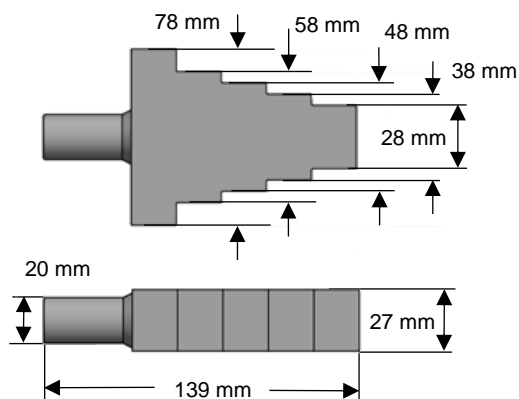
With a pair of Stepped Blocks: **6 mm - 81 mm**

### KIT CONTENTS:

- 1 x Wedgehead
- 1 x 700 bar (10,000 psi) Hydraulic Cylinder with Integrated Pump
- 1 x Safety Block
- 1 x Safety Lanyard with 2 buckles
- 1 x Pair of Stepped Blocks
- 1 x Hex Key and Countersunk Screw
- 1 x Flightcase FC EX

Product Code	Tool
HSW15TSCEX-FC EX	1 x HSW15TSCEX

### SAFETY BLOCK: P/N: B1095



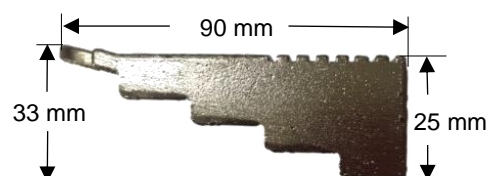
### WEIGHTS AND DIMENSIONS:

Tool weight:	9.0 kg (19.8 lb)
Safety Block:	0.35 kg (0.8 lb)
Stepped Block:	0.52 kg (1.1 lb)
Gross Kit weight:	15.0 kg (31.7 lb)

Packaging Dimensions:  
510 mm x 290 mm x 150 mm

### STEPPED BLOCK: P/N: SBM62

Using Stepped Blocks either individually or in pairs, allows for a **maximum spreading distance of 81 mm**



MATCH-CEE e.U.  
Flansch Service Werkzeuge und Hochdruckhydraulik  
Schlachthausgasse 30/6/13  
A-1030 Wien / ÖSTERREICH

[www.flanschspreizer.at](http://www.flanschspreizer.at)

[info@flangespreader.eu](mailto:info@flangespreader.eu)

MATCH s.r.o.  
Flange Service Tools  
Studena 2  
SK-82104 Bratislava / SLOVAKIA

[www.flangespreader.eu](http://www.flangespreader.eu)

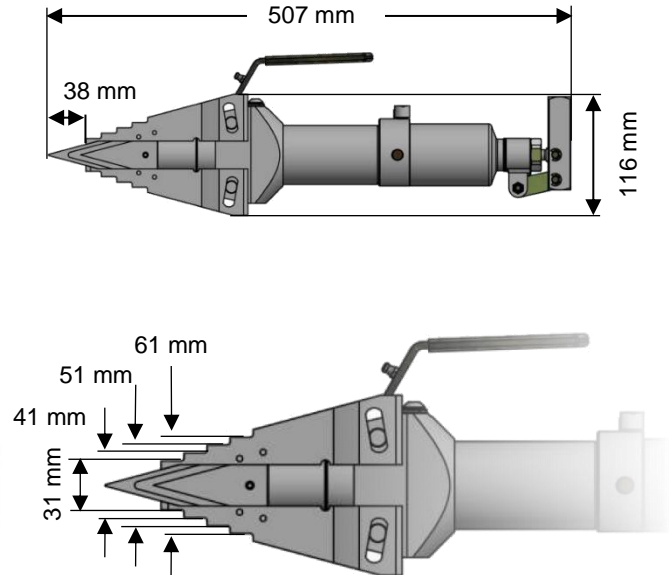
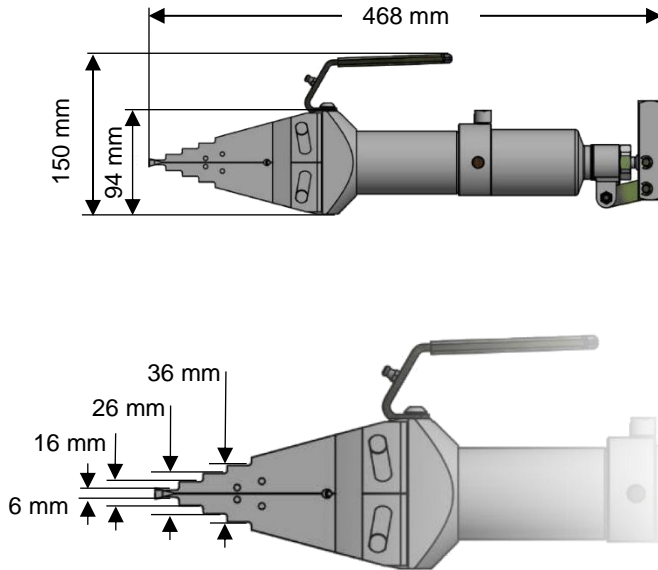
# HSW15TSCEX-FCEX

INTEGRAL HYDRAULIC  
FLANGE SPREADING WEDGE in Flightcase ATEX



TOOL DIMENSIONS: FULLY RETRACTED

FULLY EXTENDED



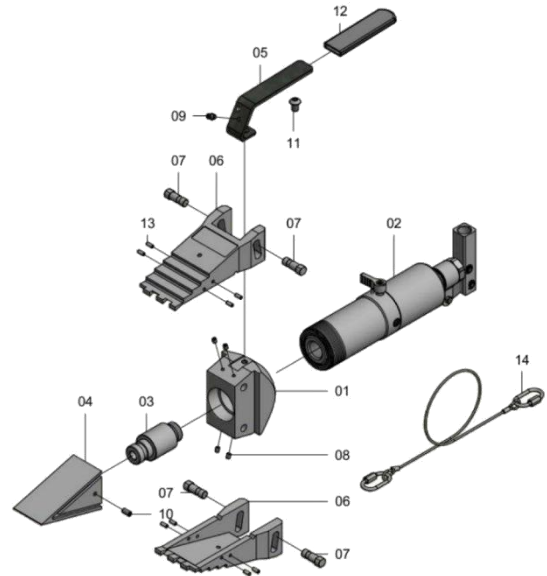
## RANGE OF APPLICATION:

Flange Joints with at least 6 mm access gap

**CAUTION!** MATCH Flange Spreading Tools HSW15TSCEX in Flightcase FCEX have been certified for use in potentially explosive atmospheres, according to ATEX Directive 2014/34/EU

ITEM	P/N	PART NAME	QTY
1	C1139	Main Body	1
2	PM102	Integral Pump and Cylinder	1
3	E2078	Push Pin	1
4	C1140	Wedge	1
5	C1543	Handle	1
6	F0392	Forged Jaw	2
7	E2077	Slide Pin	4
8	H0048	Screw	4
9	H0371	Grease Fitting	1
10	H0370	Screw	1
11	H0372	Screw	1
12	G0651	Handle Sleeve	1
13	I0109	Roll Pin Split	8
14	LB294	Safety Lanyard	1

Items 7, 8, 10, 11 & 13 are supplied in  
**Service Kit A, Product Code: 1492**



MATCH-CEE e.U.  
Flansch Service Werkzeuge und Hochdruckhydraulik  
Schlachthausgasse 30/6/13  
A-1030 Wien / ÖSTERREICH

[www.flanschspreizer.at](http://www.flanschspreizer.at)

[info@flangespreader.eu](mailto:info@flangespreader.eu)

MATCH s.r.o.  
Flange Service Tools  
Studena 2  
SK-82104 Bratislava / SLOVAKIA

[www.flangespreader.eu](http://www.flangespreader.eu)