

Flange Service Tools MATCH



HSW15TEX

HYDRAULIC
FLANGE SPREADING WEDGE
TWIN KIT ATEX

TECHNICAL DATA SHEET



SPREADING FORCE:

700 bar hydraulic pressure give **15.5 t (155 kN)** spreading force per tool

It is advisable to use tools in pairs, resulting in a total spreading force of: 2 x 15.5 t = 31.0 t (310 kN)

SPREADING DISTANCE:

With a pair of Stepped Blocks: **6 mm - 81 mm**

KIT CONTENTS:

- 2 x Wedgehead
- 2 x 700 bar (10,000 psi) Hydraulic Cylinder
- 2 x Safety Block
- 2 x Safety Lanyard with 2 buckles
- 2 x Pair of Stepped Blocks
- 1 x Hex Key
- 1 x Carry-Case

Product Code	Tool
HSW15TEX Twin Kit	2 x HSW15TEX

MATCH HSW15TEX

is marked as:
II 2G Ex h IIB T5 Gb
II 2D EX h IIIC T100 °C Db
(ATEX Directive 2014/34/EU)



WEIGHTS AND DIMENSIONS:

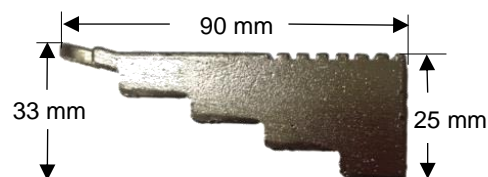
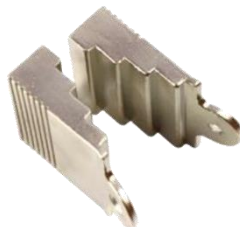
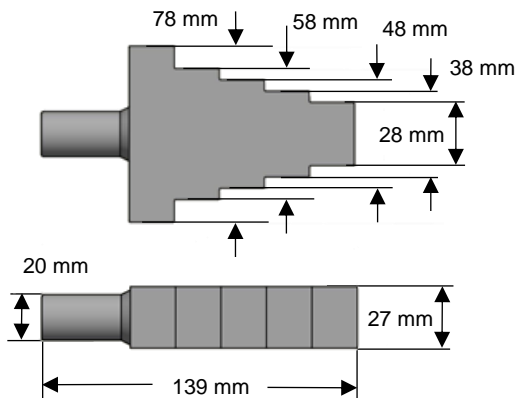
Tool weight: 7.0 kg (15.4 lb)
Tool Kit weight: 20.8 kg (45.9 lb)
Safety Block: 0.35 kg (0.8 lb)
Stepped Block: 0.52 kg (1.1 lb)

Packaging Dimensions:
580 mm x 340 mm x 180 mm

STEPPED BLOCK: P/N: SBM62

Using Stepped Blocks either individually or in pairs, allows for a **maximum spreading distance of 81 mm**

SAFETY BLOCK: P/N: B1095



MATCH-CEE e.U.
Flansch Service Werkzeuge und Hochdruckhydraulik
Schlachthausgasse 30/6/13
A-1030 Wien / ÖSTERREICH

www.flanschspreizer.at

info@flangespreader.eu

MATCH s.r.o.
Flange Service Tools
Studena 2
SK-82104 Bratislava / SLOVAKIA

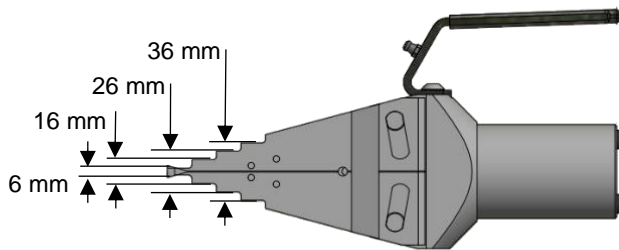
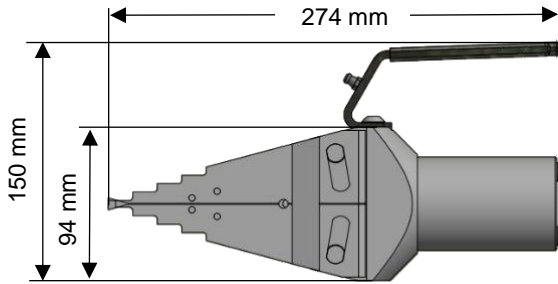
www.flangespreader.eu

HSW15TEX

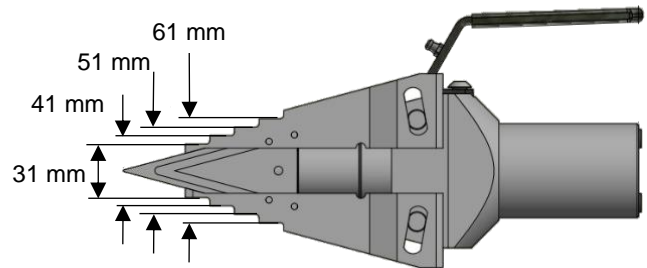
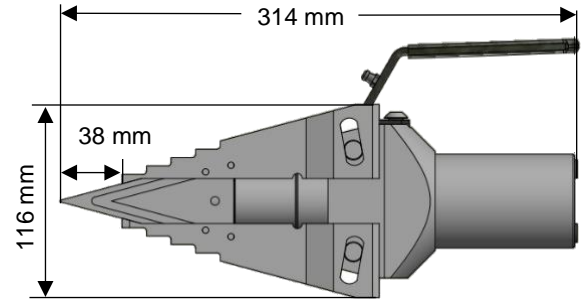
HYDRAULIC FLANGE SPREADING WEDGE
ATEX



TOOL DIMENSIONS: FULLY RETRACTED



FULLY EXTENDED



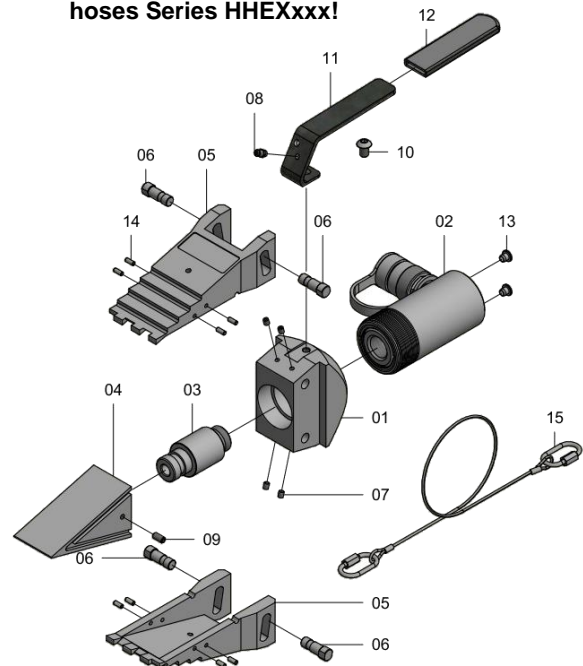
ITEM	P/N	PART NAME	QTY
1	C1139	Main Body	1
2	RC102HU	Hydraulic Cylinder	1
3	E2078	Push Pin	1
4	C1140	Wedge	1
5	F0392	Forged Jaw	2
6	E2077	Slide Pin	4
7	H0048	Screw	4
8	H0371	Grease Fitting	1
9	H0370	Screw	1
10	H0372	Screw	1
11	C1543	Handle	1
12	G0651	Handle Sleeve	1
13	G0654	White Plastic Cap	2
14	I0109	Roll Pin	8
15	LB294	Safety Lanyard	1

Items 6, 7, 9, 10 & 14 are supplied in
Service Kit A, Product Code: 1492

RANGE OF APPLICATION:

Flange Joints with at least 6 mm access gap

DANGER! – PE Case and hydraulic hoses
Series HHxxx cannot be used in a potentially
explosive atmosphere! **Use Only ATEX certified
hoses Series HHEXxxx!**



MATCH-CEE e.U.
Flansch Service Werkzeuge und Hochdruckhydraulik
Schlachthausgasse 30/6/13
A-1030 Wien / ÖSTERREICH

www.flanschspreizer.at

info@flangespreader.eu

MATCH s.r.o.
Flange Service Tools
Studena 2
SK-82104 Bratislava / SLOVAKIA

www.flangespreader.eu