

Flange Service Tools MATCH

HSW15TEX

HYDRAULIC
FLANGE SPREADING WEDGE
SINGLE KIT ATEX

TECHNICAL DATA SHEET



SPREADING FORCE:

700 bar hydraulic pressure give **15.5 t (155 kN)** spreading force per tool

It is advisable to use tools in pairs, resulting in a total spreading force of: $2 \times 15.5 \text{ t} = 31.0 \text{ t}$ (310 kN)

SPREADING DISTANCE:

With a pair of Stepped Blocks: **6 mm - 81 mm**

KIT CONTENTS:

- 1 x Wedgehead
- 1 x 700 bar (10,000 psi) Hydraulic Cylinder
- 1 x Safety Block
- 1 x Safety Lanyard with 2 buckles
- 1 x Pair of Stepped Blocks
- 1 x Hex Key
- 1 x Carry-Case

| Product Code | Tool |
|---------------------|--------------|
| HSW15TEX Single Kit | 1 x HSW15TEX |

MATCH HSW15TEX

is marked as:

II 2G Ex h IIB T5 Gb
II 2D EX h IIIC T100 °C Db
(ATEX Directive 2014/34/EU)



WEIGHTS AND DIMENSIONS:

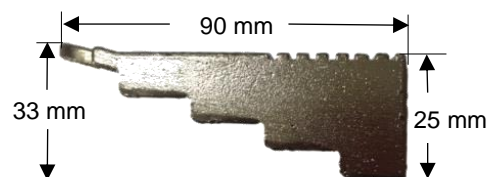
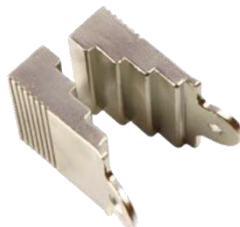
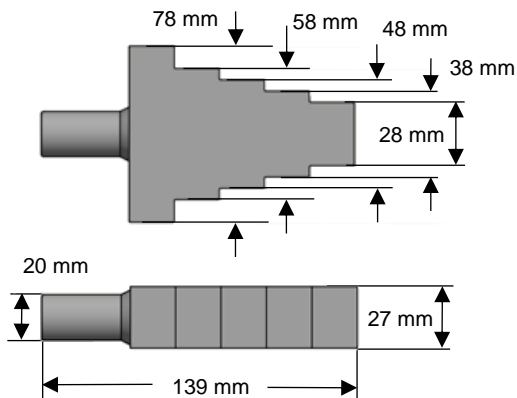
Tool weight: 7.0 kg (15.4 lb)
Tool Kit weight: 12.2 kg (26.9 lb)
Safety Block: 0.35 kg (0.8 lb)
Stepped Block: 0.52 kg (1.1 lb)

Packaging Dimensions:
440 mm x 310 mm x 130 mm

STEPPED BLOCK: P/N: SBM62

Using Stepped Blocks either individually or in pairs, allows for a **maximum spreading distance of 81 mm**

SAFETY BLOCK: P/N: B1095



MATCH-CEE e.U.
Flansch Service Werkzeuge und Hochdruckhydraulik
Schlachthausgasse 30/6/13
A-1030 Wien / ÖSTERREICH

www.flanschspreizer.at

info@flangespreader.eu

MATCH s.r.o
Flange Service Tools
Studena 2
SK-82104 Bratislava / SLOVAKIA

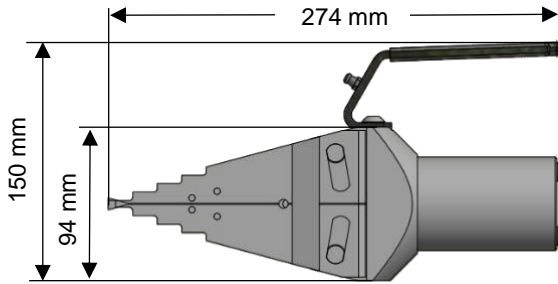
www.flangespreader.eu

HSW15TEX

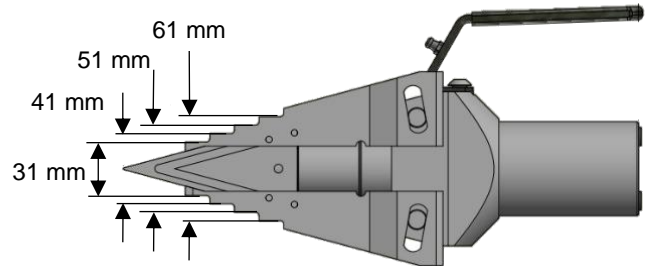
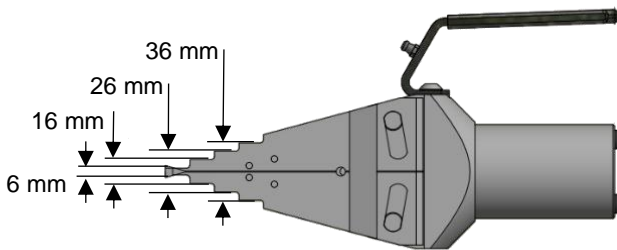
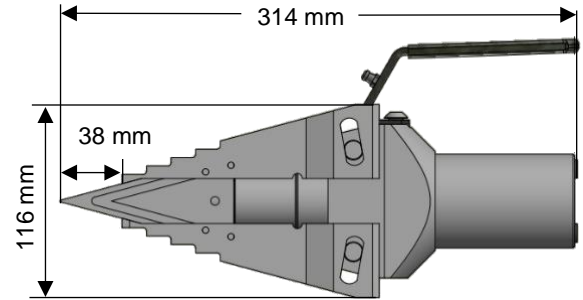
HYDRAULIC FLANGE SPREADING WEDGE
ATEX



TOOL DIMENSIONS: FULLY RETRACTED



FULLY EXTENDED



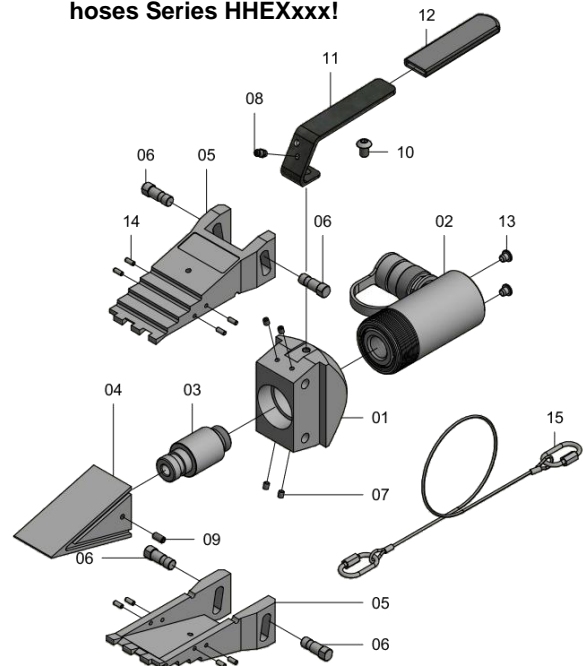
| ITEM | P/N | PART NAME | QTY |
|------|---------|--------------------|-----|
| 1 | C1139 | Main Body | 1 |
| 2 | RC102HU | Hydraulic Cylinder | 1 |
| 3 | E2078 | Push Pin | 1 |
| 4 | C1140 | Wedge | 1 |
| 5 | F0392 | Forged Jaw | 2 |
| 6 | E2077 | Slide Pin | 4 |
| 7 | H0048 | Screw | 4 |
| 8 | H0371 | Grease Fitting | 1 |
| 9 | H0370 | Screw | 1 |
| 10 | H0372 | Screw | 1 |
| 11 | C1543 | Handle | 1 |
| 12 | G0651 | Handle Sleeve | 1 |
| 13 | G0654 | White Plastic Cap | 2 |
| 14 | I0109 | Roll Pin | 8 |
| 15 | LB294 | Safety Lanyard | 1 |

Items 6, 7, 9, 10 & 14 are supplied in
Service Kit A, Product Code: 1492

RANGE OF APPLICATION:

Flange Joints with at least 6 mm access gap

DANGER! – PE Case and hydraulic hoses
Series HHxxx cannot be used in a potentially
explosive atmosphere! **Use Only ATEX certified
hoses Series HHEXxxx!**



MATCH-CEE e.U.
Flansch Service Werkzeuge und Hochdruckhydraulik
Schlachthausgasse 30/6/13
A-1030 Wien / ÖSTERREICH

www.flanschspreizer.at

info@flangespreader.eu

MATCH s.r.o.
Flange Service Tools
Studena 2
SK-82104 Bratislava / SLOVAKIA

www.flangespreader.eu