

Flange Service Tools
MATCH



HP350AEX KIT

SEALED HYDRAULIC HAND PUMP
 SINGLE PORT - ATEX

HP350BEX KIT

SEALED HYDRAULIC HAND PUMP
 TWIN PORT - ATEX

TECHNICAL DATA SHEET



2-Stage Sealed Hydraulic Hand Pump
 Maximum Pressure Rating:

13.8 bar (200 psi) 1st Stage
 700 bar (10,000 psi) 2nd Stage

Oil Capacity: 350 cc

Diaphragm Oil Reservoirs: Pumps are operable
 in all directions without loss of performance

Reduced risk of hydraulic fluid spillages

MATCH HP350AEX KIT and HP350BEX KIT

are marked as:

CE  II 2G Ex h IIB T5 Gb
 II 2D Ex h IIIC T100°C Db (ATEX Directive 2014/34/EU)

HP350AEX KIT CONTENTS:

- 1 x P350AEX Pump Unit
- 1 x 1,000 bar (15,000 psi) Pressure Gauge
- 1 x Quick Gauge Coupler 1/4" NPT
- 1 x Gauge Adaptor K
- 1 x Coupler 3/8" F
- 1 x HHEX180 Hydraulic Hose
 (1.8 m hydraulic hose c/w couplers)
- 1 x Carry-Case

Product Code

HP350AEX Kit

HP350BEX KIT CONTENTS:

- 1 x P350BEX Pump Unit
- 2 x 1,000 bar (15,000 psi) Pressure Gauge
- 2 x Quick Gauge Coupler 1/4" NPT
- 2 x Gauge Adaptor K
- 2 x Coupler 3/8" F
- 2 x HHEX180 Hydraulic Hose
 (1.8 m hydraulic hoses c/w couplers)
- 1 x Carry-Case

Product Code

HP350BEX Kit

Weights and Dimensions:	P350AEX	P350BEX
Pump Length (L)	504 mm	540 mm
Handle Length (H)	363 mm	363 mm
Pump Weight	4.2 kg (9.3 lb)	6.1 kg (13.4 lb)
Gross Kit Weight	8.8 kg (19.4 lb)	11.7 kg (25.7 lb)
Packaging Dimensions	580 mm x 340 mm x 180 mm	

MATCH-CEE e.U.
 Flansch Service Werkzeuge und Hochdruckhydraulik
 Schlachthausgasse 30/6/13
 A-1030 Wien / ÖSTERREICH

www.flanschspreizer.at

info@flangespreader.eu

MATCH s.r.o.
 Flange Service Tools
 Studena 2
 SK-82104 Bratislava / SLOVAKIA

www.flangespreader.eu

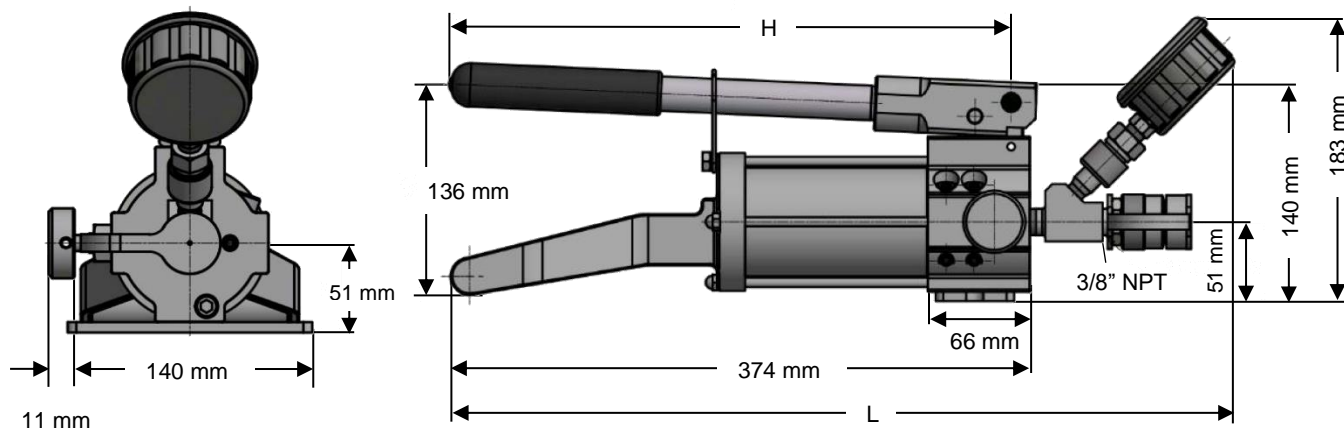
HP350AEX KIT

HP350BEX KIT

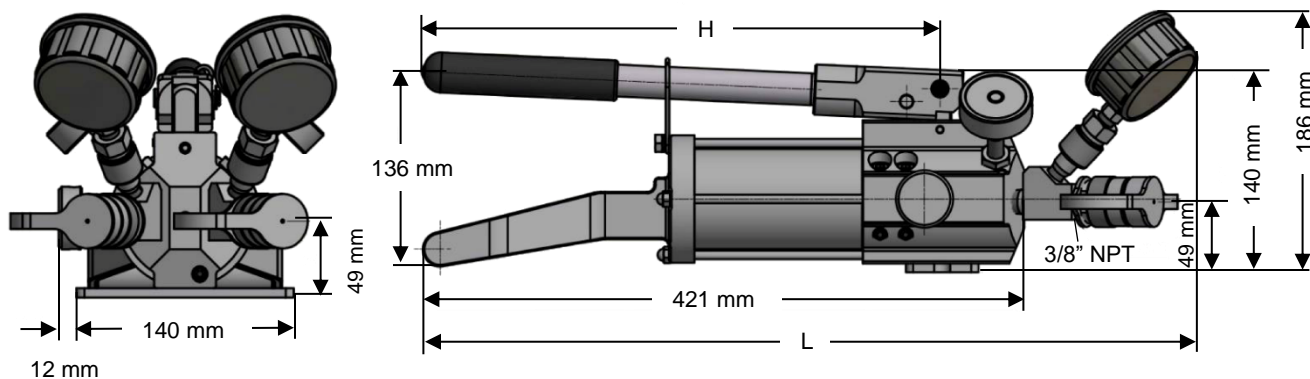
SEALED HYDRAULIC HAND PUMPS



P350AEX – SINGLE PORT PUMP DIMENSIONS:



P350BEX TWIN PORT PUMP DIMENSIONS:



SPECIFICATIONS	STAGE	P350AEX P350BEX
Pressure Rating	1 st	13.8 bar (200 psi)
	2 nd	700 bar (10,000 psi)
Max Oil Capacity		380 cc (23.2 in ³)
Usable Oil Capacity		350 cc (21.4 in ³)
Oil Volume/Stroke	1 st	3.7 cc (0.2 in ³)
	2 nd	0.6 cc (0.04 in ³)
Max Handle Force		290 N (29 kgf)
Piston Stroke		18 mm (0.7 in)

DANGER! – PE Case and hydraulic hoses Series HHxxx cannot be used in a potentially explosive atmosphere!

Use Only ATEX certified hoses Series HHEXxxx!

MATCH-CEE e.U.
Flansch Service Werkzeuge und Hochdruckhydraulik
Schlachthausgasse 30/6/13
A-1030 Wien / ÖSTERREICH

MATCH s.r.o
Flange Service Tools
Studena 2
SK-82104 Bratislava / SLOVAKIA