



HP1000A KIT

SEALED HYDRAULIC HAND PUMP
 SINGLE PORT

HP1000B KIT

SEALED HYDRAULIC HAND PUMP
 TWIN PORT

TECHNICAL DATA SHEET

2-Stage Sealed Hydraulic Hand Pump

Maximum Pressure Rating:

13.8 bar (200 psi) 1st Stage

700 bar (10,000 psi) 2nd Stage

Oil Capacity: 1070 cc

Diaphragm Oil Reservoirs: Pumps are operable
 in all directions without loss of performance

Reduced risk of hydraulic fluid spillages

MATCH HP1000A KIT and HP1000B KIT

are marked as: **CE**

HP1000A KIT CONTENTS:

- 1 x P1000AEX Pump Unit
- 1 x 1,000 bar (15,000 psi) Pressure Gauge
- 1 x Quick Gauge Coupler 1/4" NPT
- 1 x Gauge Adaptor K
- 1 x Coupler 3/8" F
- 1 x HH180 Hydraulic Hose
 (1.8 m hydraulic hose c/w couplers)

HP1000B KIT CONTENTS:

- 1 x P1000BEX Pump Unit
- 2 x 1,000 bar (15,000 psi) Pressure Gauge
- 2 x Quick Gauge Coupler 1/4" NPT
- 2 x Gauge Adaptor K
- 2 x Coupler 3/8" F
- 2 x HH180 Hydraulic Hose
 (1.8 m hydraulic hoses c/w couplers)

Product Code

HP1000A Kit

Product Code

HP1000B Kit

Weights and Dimensions:	P1000AEX	P1000BEX
Pump Length (L)	824 mm	861 mm
Handle Length (H)	590 mm	590 mm
Pump Weight	6.1 kg (13.5 lb)	8.0 kg (17.6 lb)
Gross Kit Weight	7.6 kg (16.7 lb)	10.3 kg (22.8 lb)
Packaging Dimensions	820 mm x 160 mm x 180 mm	

MATCH-CEE e.U.
 Flansch Service Werkzeuge und Hochdruckhydraulik
 Schlachthausgasse 30/6/13
 A-1030 Wien / ÖSTERREICH

www.flanschspreizer.at

MATCH s.r.o.
 Flange Service Tools
 Studena 2
 SK-82104 Bratislava / SLOVAKIA

www.flangespreader.eu

info@flangespreader.eu

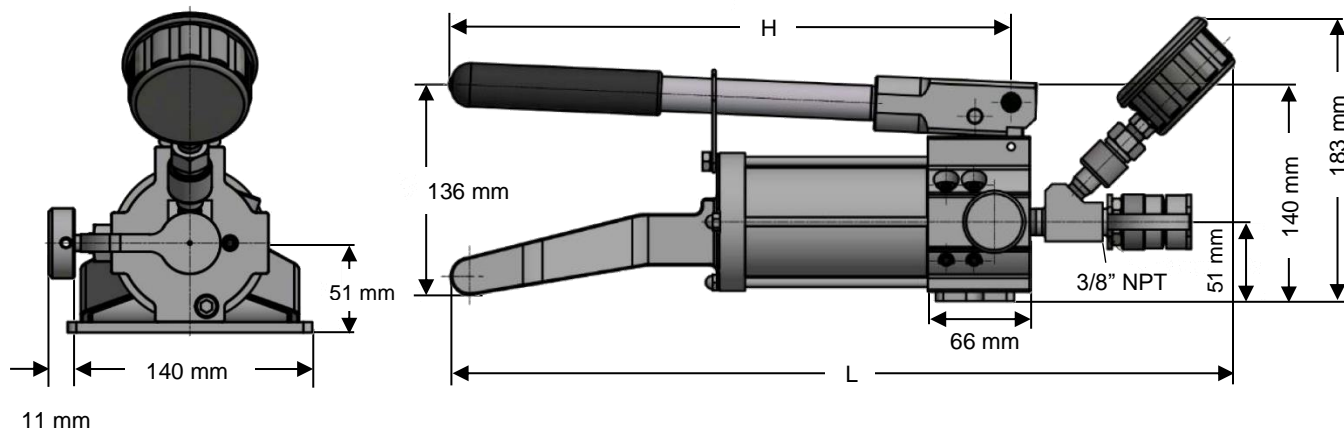
HP1000A KIT

HP1000B KIT

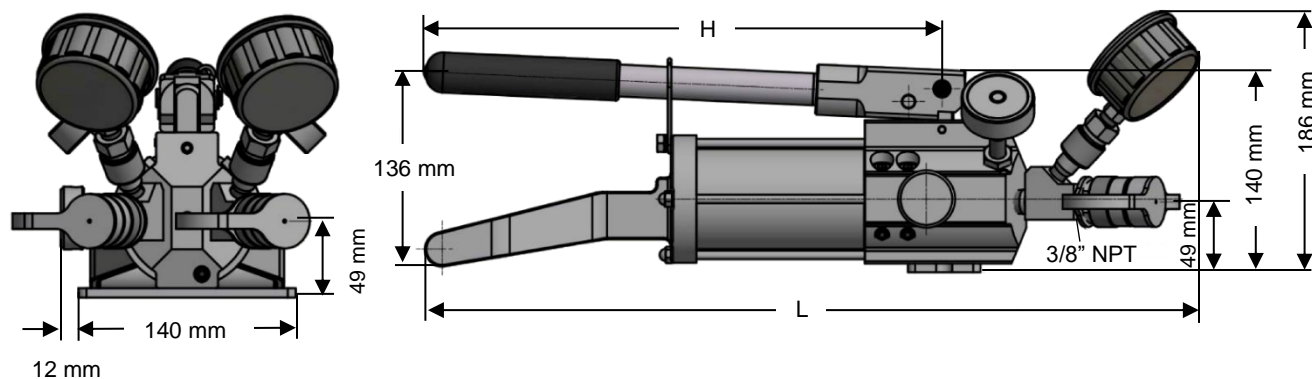
SEALED HYDRAULIC HAND PUMPS



P1000AEX – SINGLE PORT PUMP DIMENSIONS:



P1000BEX TWIN PORT PUMP DIMENSIONS:



SPECIFICATIONS	STAGE	P1000AEX P1000BEX
Pressure Rating	1 st	13.8 bar (200 psi)
	2 nd	700 bar (10,000 psi)
Max Oil Capacity		1130 cc (69.0 in ³)
Usable Oil Capacity		1070 cc (65.3 in ³)
Oil Volume/Stroke	1 st	3.7 cc (0.2 in ³)
	2 nd	0.6 cc (0.04 in ³)
Max Handle Force		170 N (17 kgf)
Piston Stroke		18 mm (0.7 in)

DANGER! – PE Case and hydraulic hoses Series HHxxx cannot be used in a potentially explosive atmosphere!

Use Only ATEX certified hoses Series HHEXxxx!

MATCH-CEE e.U.
Flansch Service Werkzeuge und Hochdruckhydraulik
Schlachthausgasse 30/6/13
A-1030 Wien / ÖSTERREICH

MATCH s.r.o
Flange Service Tools
Studena 2
SK-82104 Bratislava / SLOVAKIA