

Flange Service Tools
MATCH



HFA9T

HYDRAULIC FLANGE ALIGNMENT TOOL

TECHNICAL DATA SHEET

ALIGNING FORCE:

700 bar hydraulic pressure give **9 t (90 kN)** aligning force per tool

WING EXTENSION

The tool's wing can be extended a maximum of 135 mm

Min. Wing Extension: 105 mm

Max. Wing Extension: 240 mm

KIT CONTENTS:

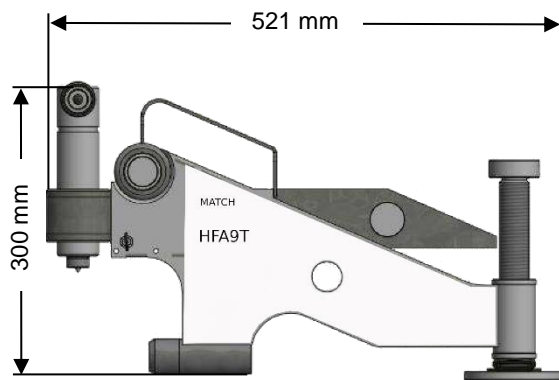
- 1 x HFA9T Tool
- 1 x 700 bar (10,000 psi Hydraulic Cylinder)
- 1 x Ratchet Strap
- 1 x Carry-Case

Product Code	Tool
HFA9T Kit	1 x HFA9T

RANGE OF APPLICATION:

Minimum Bolt Hole Diameter: 35.5 mm (1.4 in)
 (Please see overleaf for more details)

HFA9T is marked:



WEIGHTS AND DIMENSIONS:

Tool weight: 14.5 kg (32.0 lb)

Gross Kit weight: 18.2 kg (40.1 lb)

Packaging Dimensions:

600 mm x 370 mm x 140 mm

MATCH-CEE e.U.
 Flansch Service Werkzeuge und Hochdruckhydraulik
 Schlachthausgasse 30/6/13
 A-1030 Wien / ÖSTERREICH

www.flanschspreizer.at

info@flangespreader.eu

MATCH s.r.o.
 Flange Service Tools
 Studena 2
 SK-82104 Bratislava / SLOVAKIA

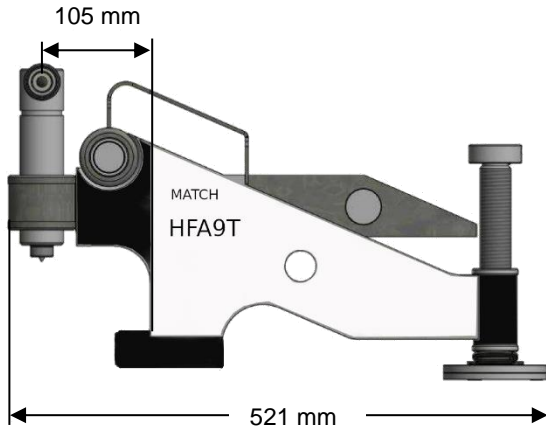
www.flangespreader.eu

HFA9T

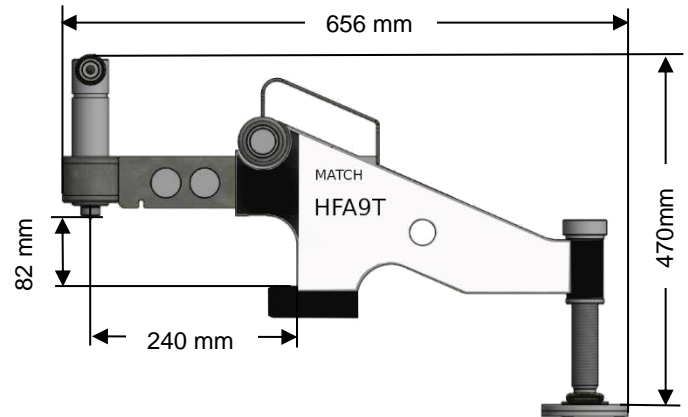
HYDRAULIC FLANGE ALIGNMENT TOOL



TOOL DIMENSIONS: FULLY RETRACTED



FULLY EXTENDED



RANGE OF APPLICATION:

Minimum Bolt Hole Diameter:
35.5 mm (1.4 in)

The following Tool & Pump Kit is also available:

Product Code	Tool Kit	Pump Kit
HFA9THP Kit	1 x HFA9T	HP350A Kit

ASME	NOMINAL PIPE SIZE
150#	36" – 48"
300#	16" – 24" & 38" – 48"
400#	12" – 24" & 38" – 48"
600#	10" – 24" & 38" – 48"
900#	8" – 30"
1500#	5" – 20"
2500#	3" - 12"

KIT CONTENTS BOX A:

- 1 x HFA9T Tool
- 1 x 700 bar (10,000 psi Hydraulic Cylinder)
- 1 x Ratchet Strap
- 1 x Carry-Case

Product Code	Tool
HFA9T Kit	1 x HFA9T

Packaging Dimensions:
600 mm x 370 mm x 140 mm



KIT CONTENTS BOX B:

- 1 x P350AEX Pump Unit
- 1 x 1,000 bar Pressure Gauge
- 1 x Quick Gauge Coupler 1/4" NPT
- 1 x Gauge Adaptor K
- 1 x Coupler 3/8" F
- 1 x HH180 Hydraulic Hose
(1.8 m hydraulic hose c/w couplers)
- 1 x Carry-Case

Product Code
HP350A Kit

Packaging Dimensions:



MATCH-CEE e.U.
Flansch Service Werkzeuge und Hochdruckhydraulik
Schlachthausgasse 30/6/13
A-1030 Wien / ÖSTERREICH

www.flanschspreizer.at

info@flangespreader.eu

MATCH s.r.o
Flange Service Tools
Studena 2
SK-82104 Bratislava / SLOVAKIA

www.flangespreader.eu