

FLANGE TOOL INNOVATION

PRODUCT DATA SHEET

VC10/13TE

HYDRAULIC SECURE-GRIP VALVE CHANGE-OUT TOOL

SPREADING FORCE:

With 10,000psi (700bar): 100kN (10T)

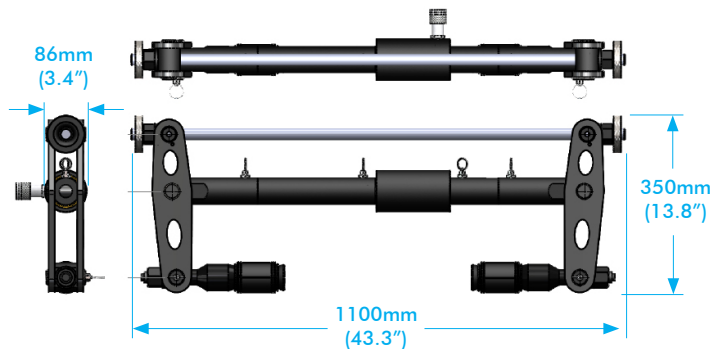
It is recommended that tools are used in pairs giving:

$$2 \times 100\text{kN} = 200\text{kN} (20\text{T})$$

SPREADING STROKE: 151mm (5.9")

TOOL-KIT WEIGHT: 53kg (116.8lb)

TOOL DIMENSIONS



KIT COMPONENTS

Product Code: VC10/13TEMAX

TOOL-KIT (2 PER MAXI KIT)

- 1 x VC10/13TE Tool
- 2 x M39 Collets
- 2 x M42 Collets
- 2 x M45 Collets
- 1 x Instruction Manual
- 1 x Hard Case

Box Dimensions:
550.0mm x 1200.0mm x 170.0mm
(21.7" x 47.2" x 6.7")

Kit Weight: 53.0kg (116.8lb)

PUMP-KIT (1 PER MAXI KIT)

- 1 x HP1000D Hydraulic Hand Pump
- 2 x Hydraulic Gauges with manifolds
- 2 x 2.0m Hydraulic Hoses
- 2 x Secure Grip Safety Blocks
- 1 x Square Drive Flexible Handle
- 1 x Vernier Calliper
- 1 x Instruction Manual
- 1 x Hard Case

Box Dimensions:
550.0mm x 1200.0mm x 170.0mm
(21.7" x 47.2" x 6.7")

Kit Weight: 30.0kg (66.1lb)

info@equalizerinternational.com
www.equalizerinternational.com

VC10/13TE

HYDRAULIC SECURE-GRIP
VALVE CHANGE-OUT TOOL



FLANGE TOOL INNOVATION

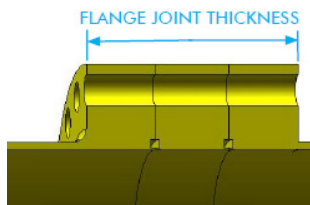
RANGE OF APPLICATION

The VC10/13TE can be reconfigured with alternative collets (supplied) to suit the following flange bolt-hole diameters:

Collet	Minimum bolt-hole diameter	Maximum bolt-hole diameter
M39 (1-1/2")	38mm (1.50")	42mm (1.65")
M42 (1-5/8")	41mm (1.61")	45mm (1.77")
M45 (1-3/4")	44mm (1.73")	49mm (1.93")



MODULAR CONFIGURATION

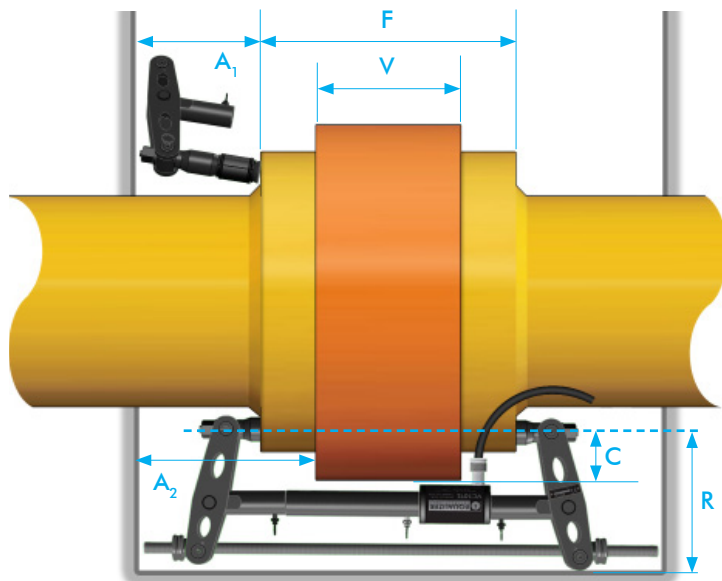


The Actuator and Extension Subassembly can be assembled into 4 different configurations to suit a variety of flange joint thicknesses from 200mm (7.9") to 560mm (22.0").



SPATIAL ENVELOPE

	DIMENSION	MEASURED FROM	MEASURED TO	MINIMUM	MAXIMUM
F	Flange Joint Thickness	Outside Face of Flange	Outside Face of Flange	200mm (7.9")	560mm (22.0")
V	Valve/Spacer Thickness	Inside Face of Flange	Inside Face of Flange	*0mm (*0.0")	*352mm (*13.9")
C	Flange Clearance	Bolt-Hole Circle	Largest OD of Valve/Spacer	-	260mm (10.2")
R	Radial space	Bolt-Hole Circle	Closest Obstruction	360mm (14.2")	-
A ₁	Axial space (for installation)	Outside Face of Flange	Closest Obstruction	300mm (11.81")	-
A ₂	Axial space (installed)	Inner Face of Flange	Closest Obstruction	370mm (14.6")	-



*Short Collet Holder Kits (SCH) are available which can offer improved range of application.

Contact Equalizer International if your application does not appear to suit standard tools.