



FLANGE TOOL INNOVATION

# PRODUCT DATA SHEET



## TFA15TI INTEGRAL HYDRAULIC FLANGE ALIGNMENT TOOL

ALIGNING FORCE:  
15T

TOOL WEIGHT  
24.5kg (54.0lb)

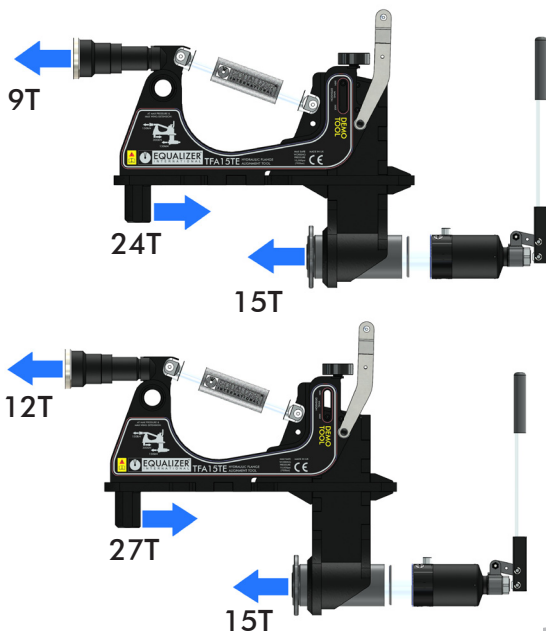
### KIT COMPONENTS

- 1 x TFA15TI Tool
- 1 x Instruction Manual
- 1 x Hard Case

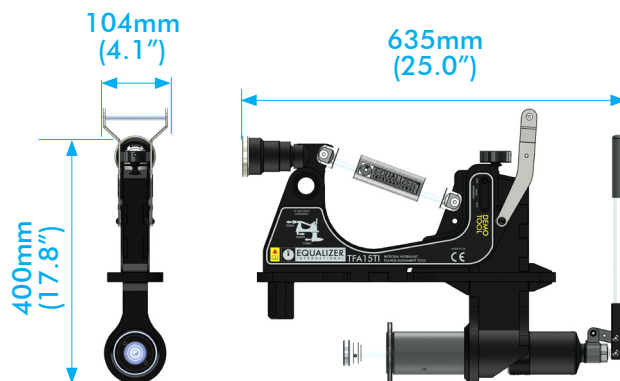
Product Code: TFA15TISTD



### REACTION FORCES



### WEIGHTS AND DIMENSIONS



Box Dimensions:  
585.0mm (23.0")  
900.0mm (35.4")  
170.0mm (11.8")

Tool Weight:  
24.5kg (54.0lb)

info@equalizerinternational.com  
www.equalizerinternational.com

# TFA15TI

INTEGRAL HYDRAULIC FLANGE ALIGNMENT TOOL

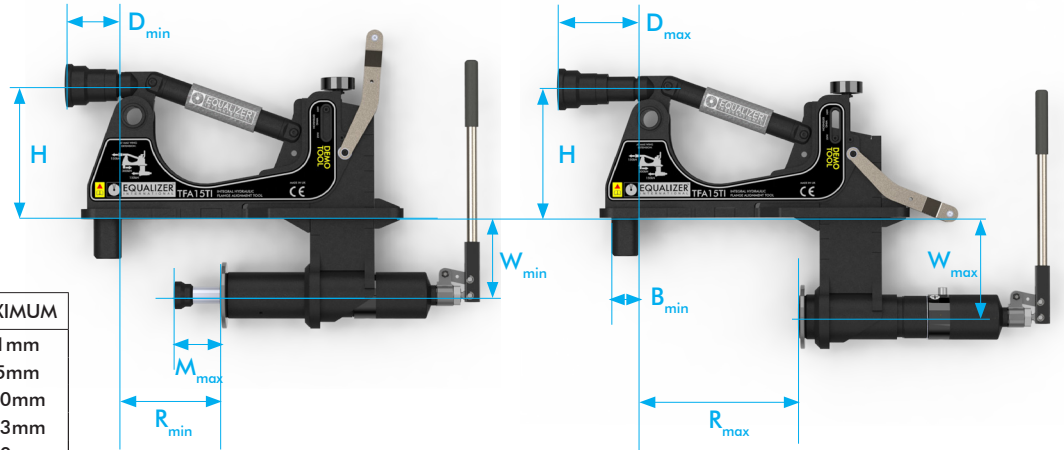


FLANGE TOOL INNOVATION

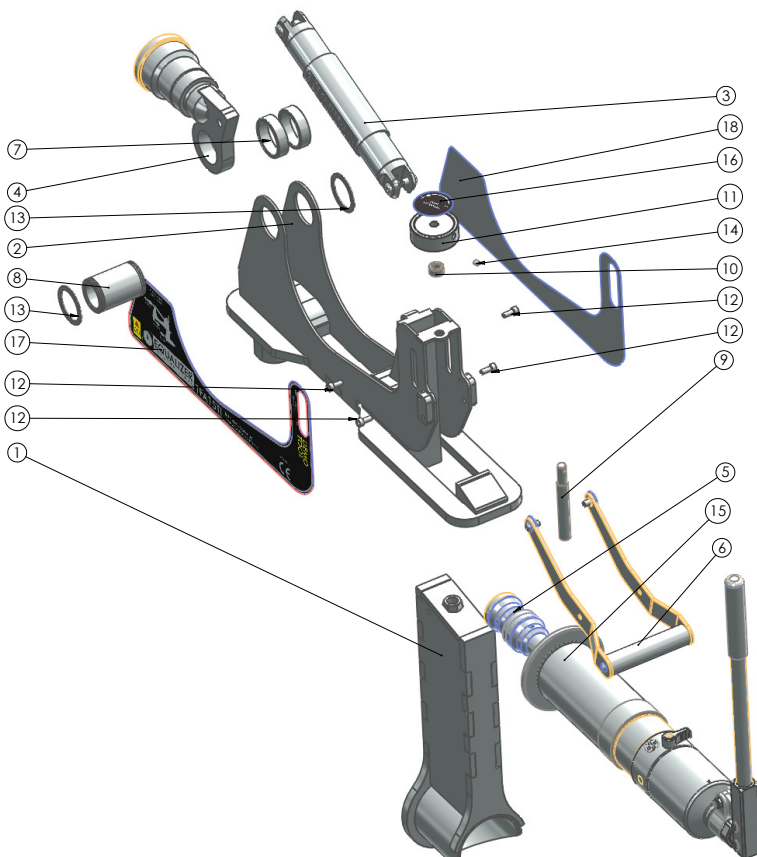
## RANGE OF APPLICATION

### MINIMUM EXTENSION

### MAXIMUM EXTENSION



|   | DIMENSION          | MINIMUM | MAXIMUM |
|---|--------------------|---------|---------|
| B | Bolt Hole Diameter | 45mm    | 51mm    |
| M | Misalignment       | 0mm     | 65mm    |
| R | Rise               | 150mm   | 250mm   |
| D | Pipe Leg Drop      | 83mm    | 123mm   |
| W | Wing Reach         | 120mm   | 160mm   |
| H | Reaction Spacing   | 200mm   | 200mm   |



## PARTS LIST (TBC)