



FLANGE TOOL INNOVATION

PRODUCT DATA SHEET



HP350S
HP550S
HP1000S

HYDRAULIC SINGLE-PORT SEALED HAND-PUMP

MAX PRESSURE RATING:

1st Stage: 13.8bar (197psi)

2nd Stage: 700bar (10,000psi)

TOOL DESCRIPTION

The Hydraulic Single-Port Hand-Pump range is tailored for use with Equalizer International hydraulic equipment. Its output is regulated to 700 bar (10,000psi) and is delivered from a single threaded 3/8" NPT output port. The pumps can be used with any 700bar (10,000psi) rated hydraulic equipment within their oil capacity specification. The diaphragm oil-reservoir design means that, unlike conventional units, the hand-pumps are operable at all angles and are highly resistant to accidental spillage of hydraulic fluid. For further details please request or download an instruction manual.

	STAGE	HP350S	HP550S	HP1000S
PUMP TYPE		TWO SPEED	TWO SPEED	TWO SPEED
PRESSURE RATING	1st	13.8bar (197psi)	13.8bar (197psi)	13.8bar (197psi)
	2nd	700bar (10,000psi)	700bar (10,000psi)	700bar (10,000psi)
NOMINAL OIL CAPACITY		350cc (21.4in ³)	550cc (33.6in ³)	1000cc (61.0in ³)
USABLE OIL CAPACITY		300.0cc (18.3in ³)	580.0cc (35.4in ³)	1110.0cc (67.7in ³)
OIL VOLUME PER STROKE	1st	3.62cc (0.221in ³)	3.62cc (0.221in ³)	3.62cc (0.221in ³)
	2nd	0.77cc (0.046in ³)	0.77cc (0.046in ³)	0.77cc (0.046in ³)
MAX HANDLE EFFORT		33kgf (72.75lbf)	25kgf (55.12lbf)	21kgf (46.30lbf)
PISTON STROKE		18.0mm (0.71")	18.0mm (0.71")	18.0mm (0.71")



info@equalizerinternational.com
www.equalizerinternational.com

HP350D | HP550D | HP1000D

HYDRAULIC SINGLE-PORT SEALED HAND-PUMP



FLANGE TOOL INNOVATION

KIT COMPONENTS

HP350S

- 1 x HP350S Pump Unit
- 1 x 0-1000 bar (0-15,000 psi) Gauge
- 1 x 3/8" Port Gauge Adaptor
- 1 x Instruction Manual
- 1 x Cardboard Packaging

Packaging Dimensions:
250mm x 180mm x 600mm
(9.84" x 7.09" x 23.62")

Product Code: HP350SMIN

HP550S

- 1 x HP550S Pump Unit
- 1 x 0-1000 bar (0-15,000 psi) Gauge
- 1 x 3/8" Port Gauge Adaptor
- 1 x Instruction Manual
- 1 x Cardboard Packaging

Packaging Dimensions:
250mm x 180mm x 700mm
(9.84" x 7.09" x 27.56")

Product Code: HP550SMIN

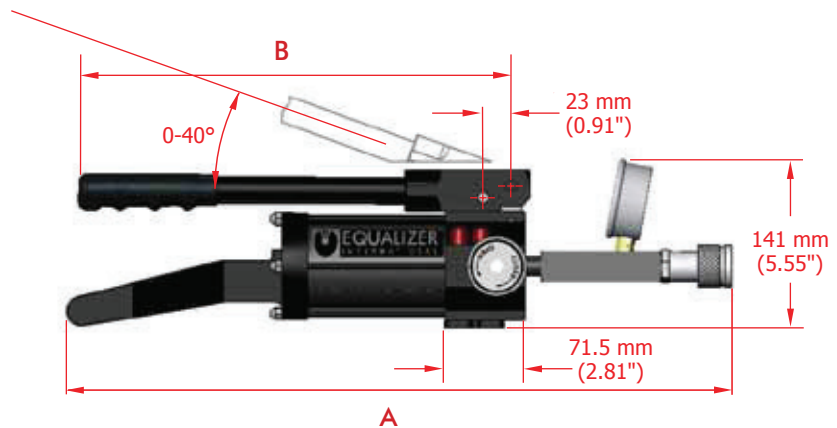
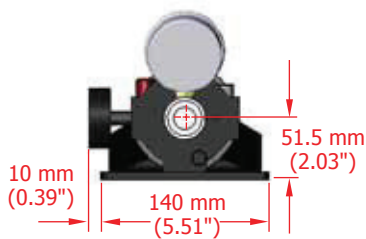
HP1000S

- 1 x HP1000S Pump Unit
- 1 x 0-1000 bar (0-15,000 psi) Gauge
- 1 x 3/8" Port Gauge Adaptor
- 1 x Instruction Manual
- 1 x Cardboard Packaging

Packaging Dimensions:
250mm x 180mm x 900mm
(9.84" x 7.09" x 35.43")

Product Code: HP1000SMIN

WEIGHTS AND DIMENSIONS



	HP350S	HP550S	HP1000S
OVERALL LENGTH (A)	554.0mm (21.81")	643.0mm (25.31")	867.0mm (34.13")
HANDLE LENGTH (B)	360.0mm (14.17")	490.0mm (19.29")	537.0mm (21.14")
PUMP WEIGHT	4.0kg (8.8lb)	4.6kg (10.1lb)	5.7kg (12.6lb)
GROSS KIT WEIGHT	10.4kg (11.2lb)	11.2kg (12.1lb)	13.7kg (14.6lb)